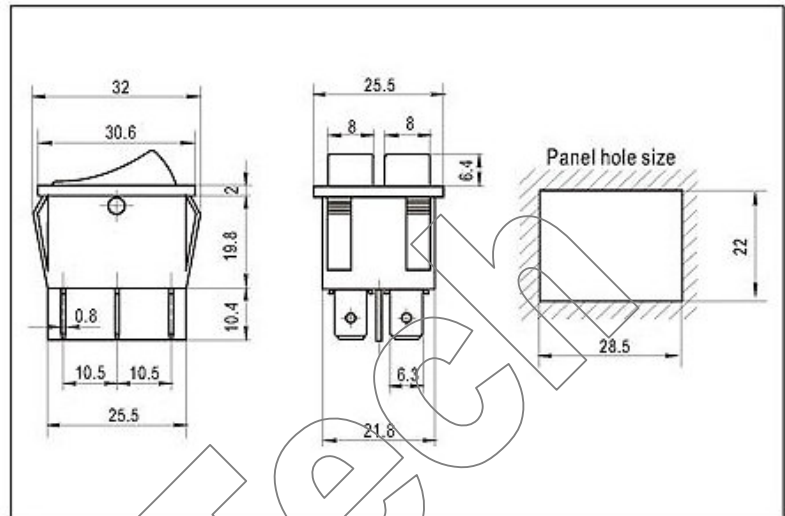


Rocker Switch (RS2-4 Series)



SPECIFICATIONS

16 (4) A 250VAC T125/55 1E4
16A 125VAC / 8A 250VAC
ROHS Compliance



EXPLANATION MODEL NUMBER

RS2- 4- 21/N - C - 30 - RE/BK - P1.... (2)

